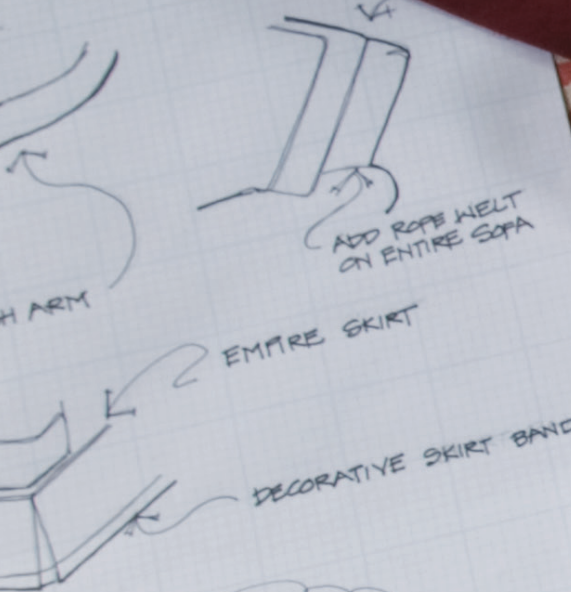


SOFA ~ medium

BORDERED



ADD ROPE WELT ON ENTIRE SOFA

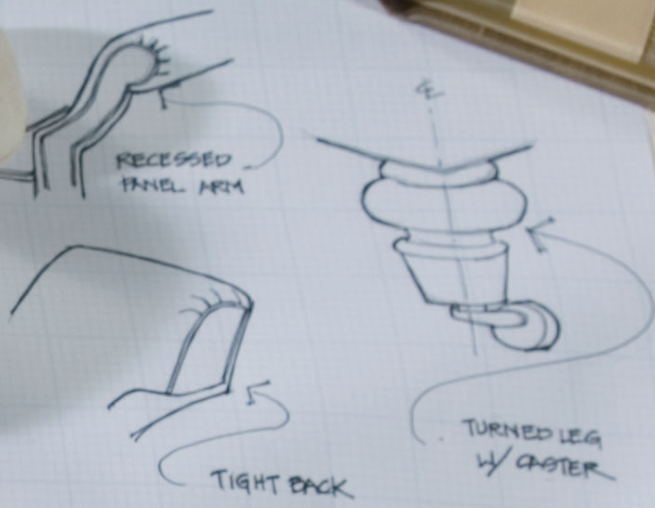
EMPIRE SKIRT

DECORATIVE SKIRT BAND

ADD 2 EXTRA PILLOWS
MITERED FLANGE



HIS LEATHER CHAIR



Signature ELEMENTS



Pick a frame and select fabric or leather.
Then, we'll help you choose key elements to express your style and
achieve your decorating goals.





ENGLISH ARM



ROLLED PANEL ARM



SOCK ARM



TRACK ARM



RECESSED PANEL ARM



TIGHT BACK



KNIFE EDGE BACK



BORDERED BACK



EMPIRE SKIRT



TAPERED LEG



TURN LEG W/CASTER



TURN LEG NO CASTER



BUN FOOT



BLOCK FOOT

There's a choice for every home and lifestyle.



Long Sofa



Medium Sofa



Apartment Sofa



Chair and a Half



Ottoman



Loveseat

Sofas and sectionals are available in two seating depths.



Standard Depth 39"

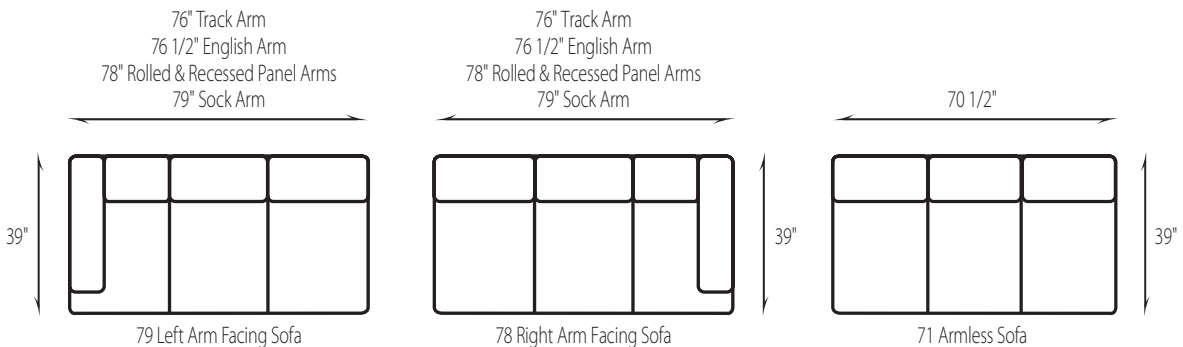
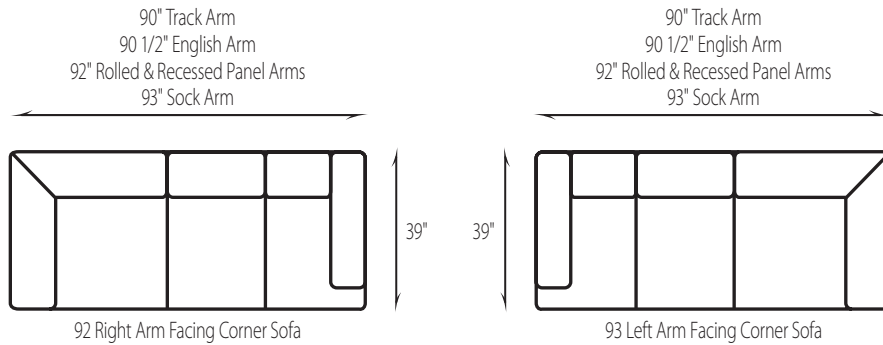
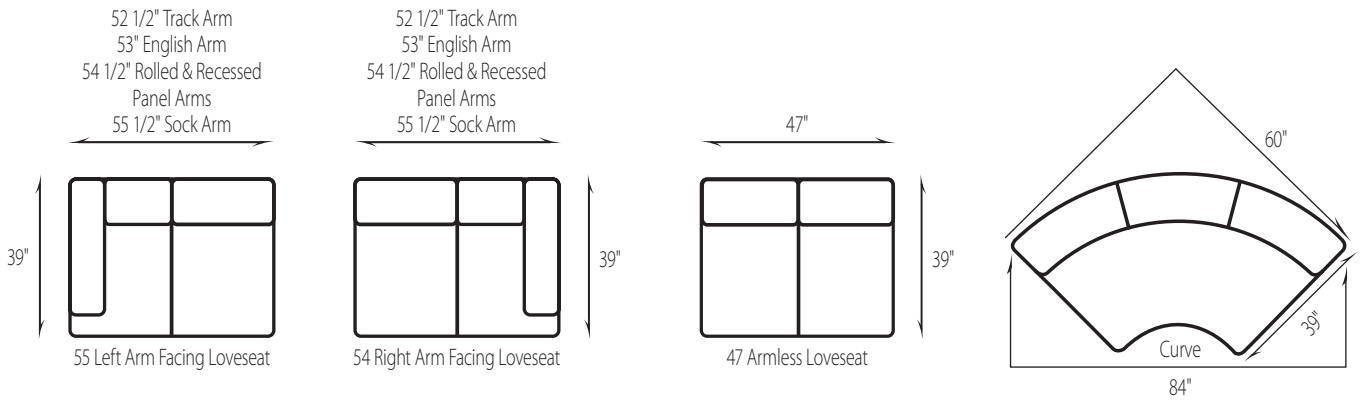
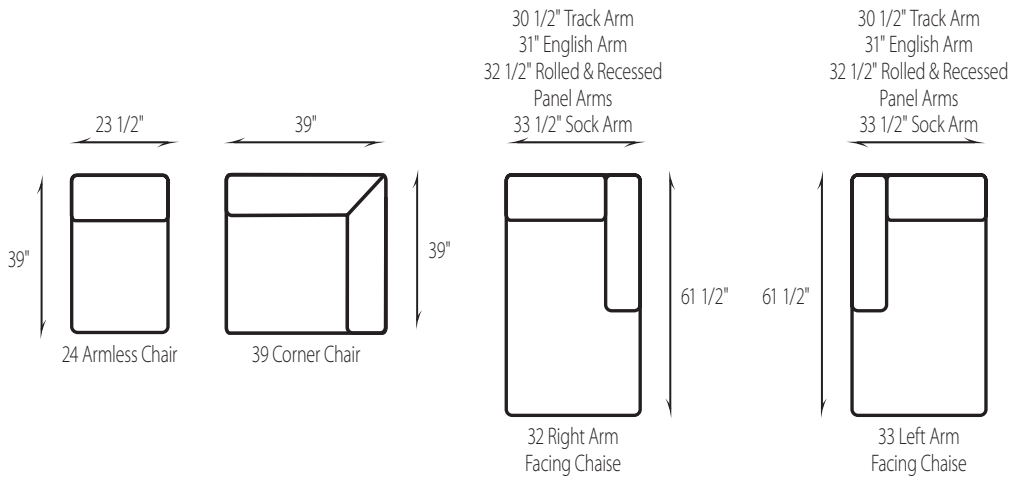


Deep Depth 42"



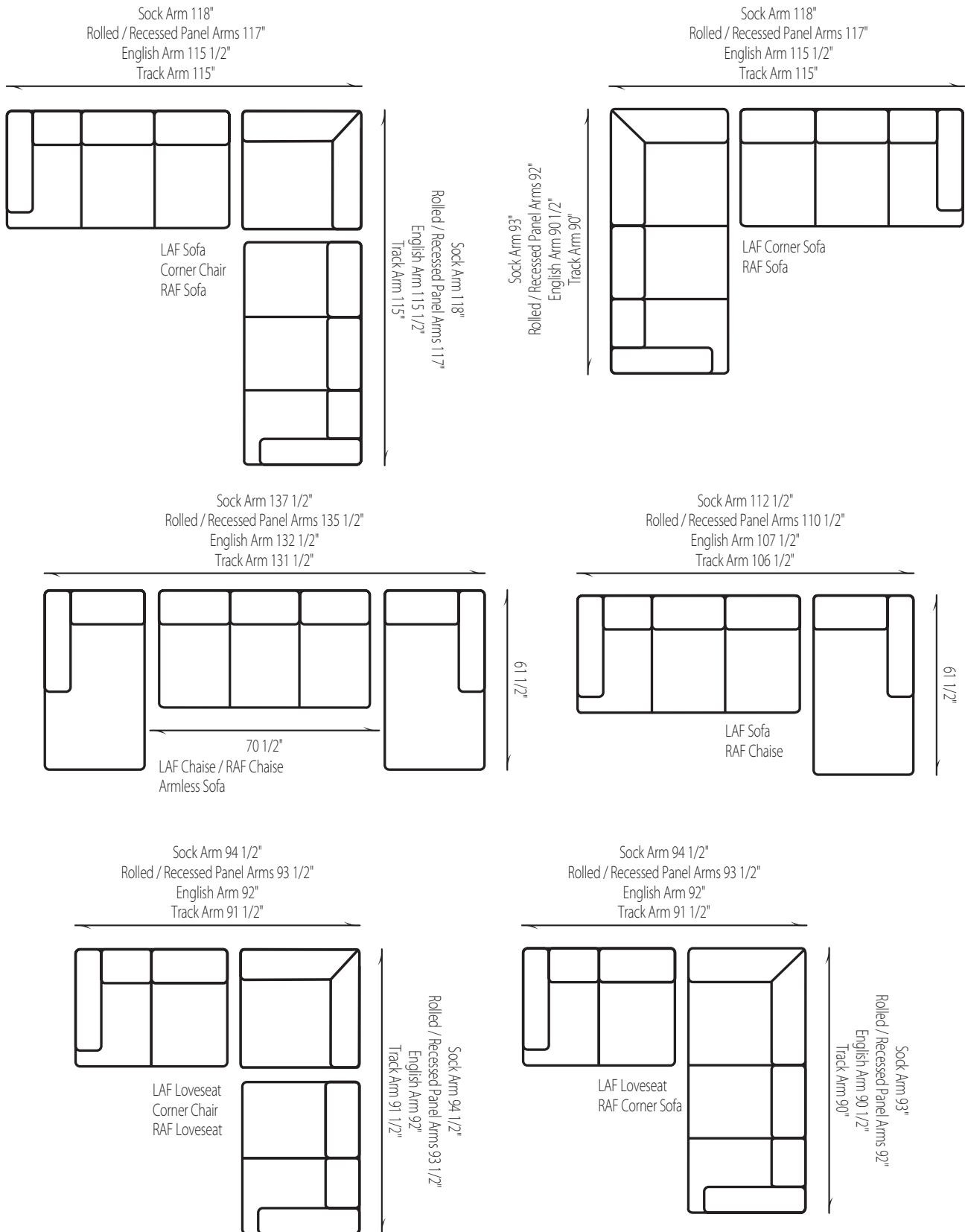
We make it easy to create custom upholstery that satisfies your design aesthetic, while meeting your client's unique lifestyle and floor plan requirements.

Signature Elements Sectional Components



Scale: 1/4" = 1'

Signature Elements Popular Sectional Configurations



Common Dimensions – Outside: D* 39" H 37" – Inside: D* 21" H 19 1/2" – Seat: H 19 1/2"

*These schematics are drawn using our Standard overall depth of 39".

All sectional pieces are also available in our deep seating option of 42" overall, 24" inside.

Here are your options.

Express your distinct style with our Signature Elements collection! With a choice of five arm styles, six base styles, three back styles and two seating depths, you can make any statement with your upholstery selection, from timeless traditional to sleek metropolitan to family-room casual. Integrating our superior quality, comfort and service with your sense of style provides you the tools to confidently resolve any design challenge. Whether you are searching for the perfect sofa, chair, sectional or sleeper, Signature Elements is your solution.

Sofa Choices: With Signature Elements, you may choose from one of three sofa lengths: **LONG; MEDIUM; AND APARTMENT.** The sofas have these dimensions in common:

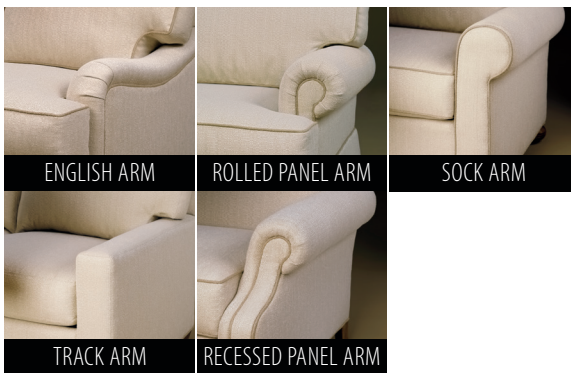
Seat Height: 19 1/2"
 Outside Height: 37"
 Inside Height: 19 1/2"

You may choose from one of two seating depths:

Standard: Outside 39" Inside 21"
Deep: Outside 42" Inside 24"

Note: The choice of seating depth is only available on sofas, loveseats, and sectional pieces.

ARM STYLES



BASE STYLES



BACK STYLES



Sock Arm	Outside Length	Inside Length	Arm Height
Long Sofa	97"	81 1/2"	24 1/2"
Medium Sofa	87"	71 1/2"	24 1/2"
Apartment Sofa	77"	61 1/2"	24 1/2"
Loveseat	63 1/2"	48"	24 1/2"
Queen Sleeper	87"	71 1/2"	24 1/2"
Full Size Sleeper	79"	63 1/2"	24 1/2"

Rolled Panel Recessed Panel	Outside Length	Inside Length	Arm Height
Long Sofa	95"	81"	24 1/2"
Medium Sofa	85"	71"	24 1/2"
Apartment Sofa	75"	61"	24 1/2"
Loveseat	61 1/2"	47 1/2"	24 1/2"
Queen Sleeper	85"	71"	24 1/2"
Full Size Sleeper	77"	63"	24 1/2"

English Arm	Outside Length	Inside Length	Arm Height
Long Sofa	92"	80 1/2"	24"
Medium Sofa	82"	70 1/2"	24"
Apartment Sofa	72"	60 1/2"	24"
Loveseat	58 1/2"	47"	24"
Queen Sleeper	82"	70 1/2"	24"
Full Size Sleeper	74"	62 1/2"	24"

Track Arm	Outside Length	Inside Length	Arm Height
Long Sofa	91"	80 1/2"	24"
Medium Sofa	81"	70 1/2"	24"
Apartment Sofa	71"	60 1/2"	24"
Loveseat	57 1/2"	47"	24"
Queen Sleeper	81"	70 1/2"	24"
Full Size Sleeper	73"	62 1/2"	24"

Making it easy to fit your client's lifestyle is what we're about.

CHAIRS

The Signature Elements chair selection complements any style choice, whether it's a Signature Elements sofa or another silhouette in our line. They make a statement of their own! Our chair and chair and a halves are available in one depth and have the following dimensions in common:

Outside:	Depth 40"	Height 36"
Inside:	Depth 22"	Height 19"
Seat:	Height 19 1/2"	

Outside Length, Inside Length and Arm Height will vary based on your selection of Arm Style.

	Outside Length	Inside Length	Arm Height
Sock Arm	36"	22"	24"
Rolled Panel Arm	34"	21 1/2"	23 1/2"
Recessed Panel Arm	34 1/2"	21"	23 1/2"
English Arm	31 1/2"	21 1/2"	24"
Track Arm	31"	21 1/2"	24"

The Matching Ottoman to any Signature Elements chair will have the following dimensions:

Chair Ottoman

Outside: L 23" D 20 1/2" H 17"

CHAIR AND A HALF

The Signature Elements chair and a half has the following dimensions:

Outside:	Depth 40"	Height 36"
Inside:	Depth 22"	Height 19"
Seat:	Height 19 1/2"	

Outside Length, Inside Length and Arm Height will vary based on your selection of Arm Style.

	Outside Length	Inside Length	Arm Height
Sock Arm	48"	34"	24"
Rolled Panel Arm	46"	33 1/2"	23 1/2"
Recessed Panel Arm	46 1/2"	33"	23 1/2"
English Arm	43 1/2"	33 1/2"	24"
Track Arm	43"	33 1/2"	24"

The Matching Ottoman to any Signature Elements chair and a half will have the following dimensions:

Chair and a Half Ottoman

Outside: L 35" D 20 1/2" H 17"

SECTIONALS

Signature Elements contains a wide variety of sectional pieces giving you maximum flexibility when working on any floor plan. We have provided the scaled drawings with overall dimensions for all of the available sectional pieces on page 12, followed on page 13 by completed configuration dimensions. All sectionals in the Signature Elements offering are available in either our standard seating depth of 21" or our deeper seating depth of 24". All sectionals are standard with sectional connectors.



SLEEPERS

Whether you are creating additional sleeping space for an urban loft or making the family room a popular sleep over spot for the kids, our Signature Elements sleepers are the perfect fit. They are available in either queen or full sizes and incorporate a Leggett and Platt Classic XL bifold unit. This premium unit employs square tubular construction for maximum durability and is extra long with a TV headrest. Our standard mattress, from Kingsdown, is 75" long, 6" thick, with inner spring construction, similar to premium bedding. This mattress is mildew resistant, odor free, and hypo-allergenic. For an additional charge, we also offer an air mattress. Please refer to the price list for details.

Dimensions: Our sleepers share the following dimensions:

Seat Height:	20"	Inside Depth:	21"
Inside Height:	19 1/2"	Overall Depth:	42"
Overall Height:	38"		

For the Outside Lengths, Inside Lengths, and Arm Heights, please refer to the tables on page 14.

Note: The Turn Leg w/Caster Base Style is not available for Sleepers.

Common Features

Seat Cushions: All Signature Elements pieces specified in fabric are standard with our Ultra Crown seat cushion. This cushion is a medium soft cushion yielding a more tailored appearance. For fabric pieces, you may also select either our Spring Down or Comfort Down cushions for an additional charge.

All Signature Elements pieces specified in leather are standard with our Comfort Down seat cushion.

Back Cushions: Should you choose one of the two filled back options, either bordered or knife edge, your back will be standard with 100% fiber. Our filled backs will be sewn and channeled in a down-proof ticking to prevent migration.

Cushion Configuration: The Medium and Long sofas are standard with three seat cushions and backs. Either of these can be changed to a two cushion configuration at no additional charge. A single bench seat cushion may also be specified at no additional charge on any length sofa, loveseat, or sectional piece. Please specify either of these preferences on the Signature Elements order form.

Throw Pillows: All Signature Elements pieces **specified in fabric** are standard with 19" feather down throw pillows. All fabric sofas, loveseats, and straight-line sectionals will include two pillows. Any fabric sectional ordered with a corner will include four pillows. Throw pillows are not included with Signature Elements pieces in leather.

Finish: Any Signature Elements piece requiring a finish will be standard with one of our Traditional finishes. You may also select a Decorative finish at an additional charge.

COM Requirements: Please refer to our price list for all COM requirements.

Order Form

Customer Name: _____

City: _____

State/Zip: _____

Step 1: Select your piece.

- | | |
|---|---|
| <input type="checkbox"/> Chair | <input type="checkbox"/> Armless Chair |
| <input type="checkbox"/> Ottoman | <input type="checkbox"/> Corner Chair |
| <input type="checkbox"/> Loveseat | <input type="checkbox"/> RAF Chaise |
| <input type="checkbox"/> Apartment Sofa | <input type="checkbox"/> LAF Chaise |
| <input type="checkbox"/> Medium Sofa | <input type="checkbox"/> Armless Loveseat |
| <input type="checkbox"/> Long Sofa | <input type="checkbox"/> RAF Loveseat |
| <input type="checkbox"/> Chair and a Half | <input type="checkbox"/> LAF Loveseat |
| <input type="checkbox"/> Chair and a Half Ottoman | <input type="checkbox"/> Armless Sofa |
| <input type="checkbox"/> Sleeper - Full Size* | <input type="checkbox"/> RAF Sofa |
| <input type="checkbox"/> Sleeper - Queen* | <input type="checkbox"/> LAF Sofa |

Sectional Pieces:

- | | |
|--------------------------------|--|
| <input type="checkbox"/> Curve | <input type="checkbox"/> RAF Corner Sofa |
| | <input type="checkbox"/> LAF Corner Sofa |

Step 2: Select your depth. (*sofa, loveseat & sectional pieces only*)

- Standard:** Outside: 39", Inside: 21"
 Deep: Outside: 42", Inside: 24"

***Sleepers available in Standard seating depth only**

Step 3: Select your arm.

- | | |
|---|------------------------------------|
| <input type="checkbox"/> English Arm | <input type="checkbox"/> Track Arm |
| <input type="checkbox"/> Rolled Panel Arm | <input type="checkbox"/> Sock Arm |
| <input type="checkbox"/> Recessed Panel Arm | |

Step 4: Select your base.

- | | |
|---|---|
| <input type="checkbox"/> Empire Skirt | <input type="checkbox"/> Bun Foot |
| <i>Not available in leather.</i> | <input type="checkbox"/> Tapered Leg |
| <input type="checkbox"/> Turned Leg With Caster | <input type="checkbox"/> Turned Leg No Caster |
| <i>Not available on Sleepers.</i> | <input type="checkbox"/> Block Foot |

Step 5: Select your cushion configuration. (*medium and long sofas only*)

- | | |
|---|--|
| <input type="checkbox"/> 3 Cushion (standard) | <input type="checkbox"/> Bench Cushion |
| <input type="checkbox"/> 2 Cushion | |

Step 6: Select your back type.

- | | |
|---|--|
| <input type="checkbox"/> Tight Back | <input type="checkbox"/> Knife Edge-LOOSE |
| <input type="checkbox"/> Bordered Back-LOOSE | <input type="checkbox"/> Knife Edge-ATTACHED |
| <input type="checkbox"/> Bordered Back-ATTACHED | |

Step 7: Select your cushion fill.

- | |
|--|
| <input type="checkbox"/> Ultra Crown (standard) |
| <input type="checkbox"/> Spring Down (optional for fabric pieces; upcharge will apply) |
| <input type="checkbox"/> Comfort Down (upcharge will apply for fabric pieces) |

Step 8: Select your finish if applicable.

Step 9: Specify your fabric and/or leather as well as any decorative treatments.

Please contact our customer service department should you need additional assistance.

